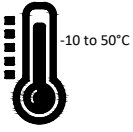


# ZINC RAY

## Product Installation guide

**IP65**



-10 to 50°C

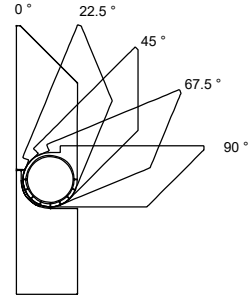
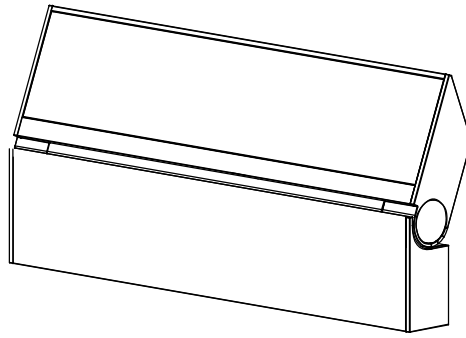
WORKING TEMPERATURE



MAKE SURE THE POWER IS OFF DURING INSTALLATION



12-270V~  
50/60 Hz

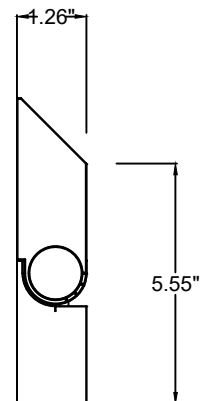
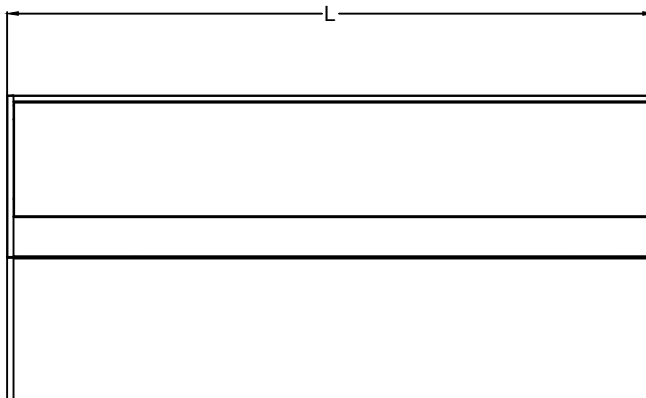


**RISK OF FIRE AND ELECTRICAL SHOCK**



1. Turn off the electrical power before starting the installation of the light fixture.
2. The feeding voltage must not exceed the specified fixture voltage.
3. This product must be installed by an eligible electrician.
4. Make sure the luminaire is mounted to a secure structure. Failure to mount the fixture correctly could result in serious injury.
5. Class 1 must be earthed in a reliable way.
6. The light source of this luminaire is not replaceable; when the light source reaches its end of life the whole luminaire shall be replaced.
7. Wear gloves and safety glasses at all times, moreover when removing the luminaire from the box, installing, servicing and performing its maintenance.
8. It is very important not to install a damaged product! This luminaire is properly packed to avoid being damaged during transit. Check for impaired objects before installation. Any damaged or broken item during or after assembly must be replaced.
9. Unauthorized repairs or modifications will void warranty.

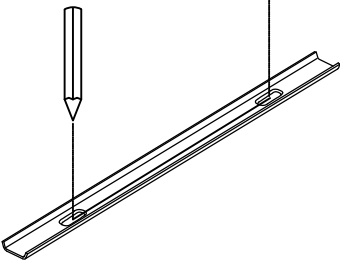
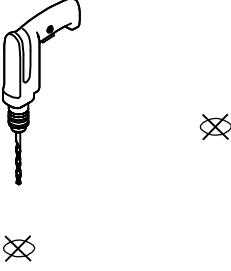
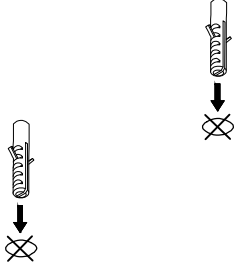
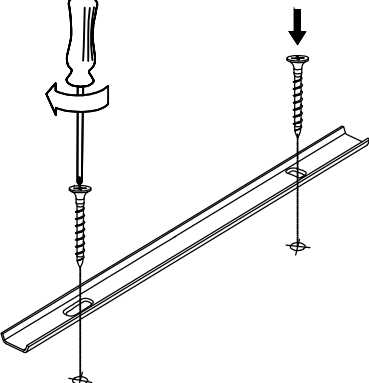
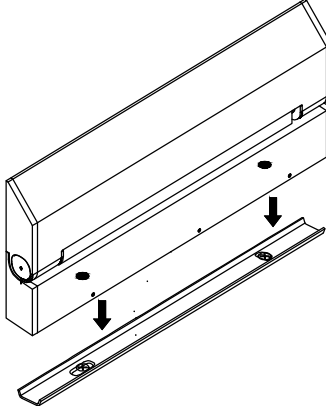
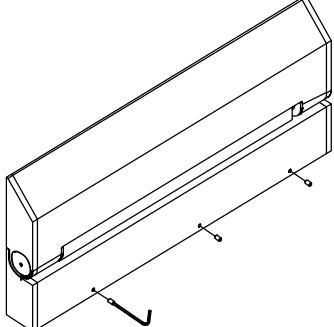
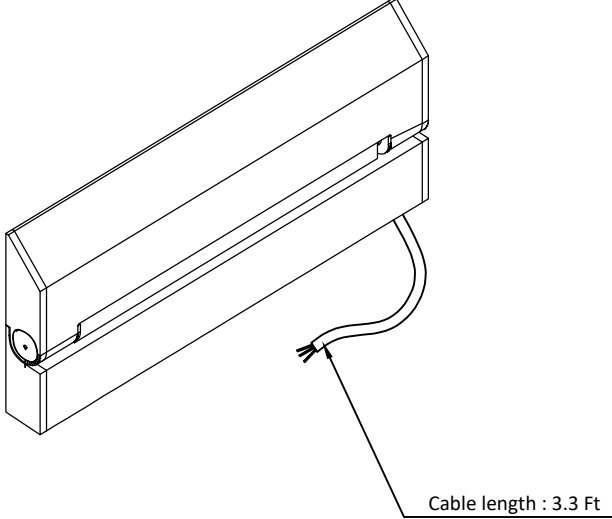
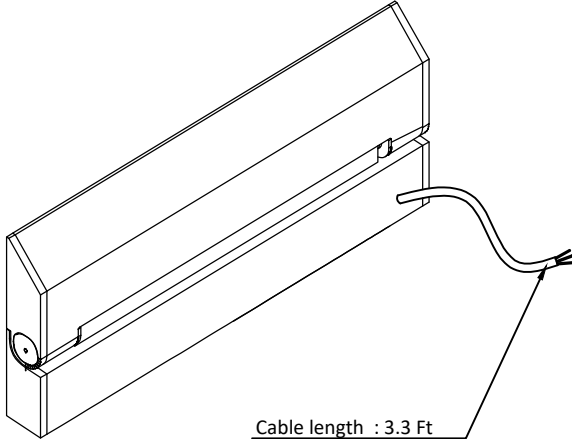
L : 12.05"  
23.62"  
35.20"  
46.78"



Dimensions in Inch.

# ZINC RAY

## Product Installation guide

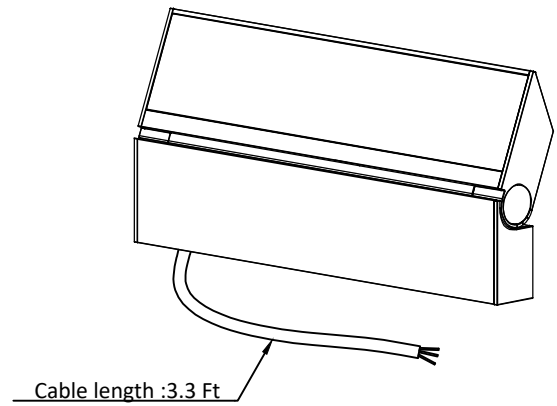
Mounting		
		
1 Place the bracket in the desired location Mark holes to be drilled with a pencil	2 Drill holes to prepare for dowels' insertion	3 Insert dowels
		
4 Place the bracket in the desired location	5 Position the luminaire in place	6 Fasten the luminaire using the provided set screw along with the Hex Key
Hidden Feeding	Back Feeding	
		

## Product Installation guide

### Wiring

Non dimmable fixtures are attached to a 3 pole cable.  
The wiring to the main voltage should follow the color code below:

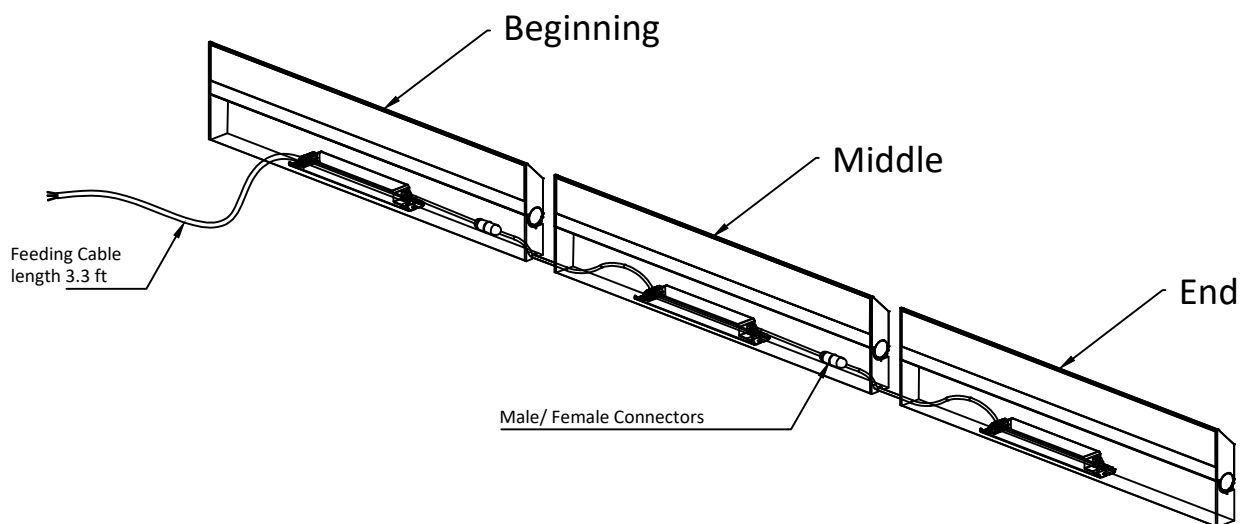
Line : Black  
Neutral : White  
Ground : Green



Dimmable fixtures (DALI or 1-10V) are attached to a 5 pole cable. The wiring to the main voltage should follow the below color code:

Line : Black  
Neutral : White  
Ground : Green  
DIM+ : Gray  
DIM- : Purple

### Continuous Run



Do not connect more than 350W on a single run